

ArgosVue Developer Kit

Panoramic 3D Vision AI in a Single Box
for Robot Vision System R&D

Technology	Fisheye Stereo Camera
Field of View	200° x 140°
Resolution	1,000 x 700
Frame Rate	20Hz
Effective Depth Range	0.5m ~ 8m

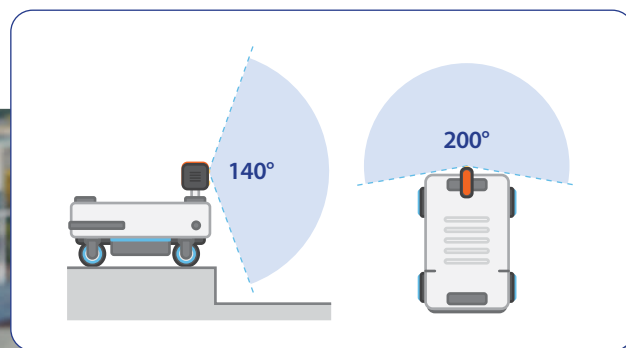


3D Vision AI Solution for Autonomous Navigation of Robots and Human-Robot Interaction

ArgosVue features 3D depth sensing for a human-like wide field of view spanning 200 x 140 degrees and is equipped with a mobile GPU processor. Specifically designed for robotics research and development, its primary applications include autonomous navigation and human-robot interaction.

Features

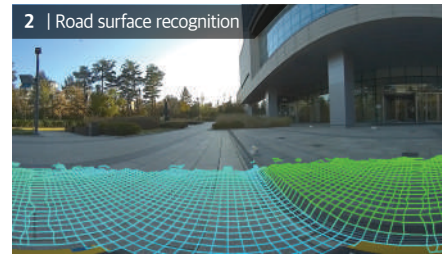
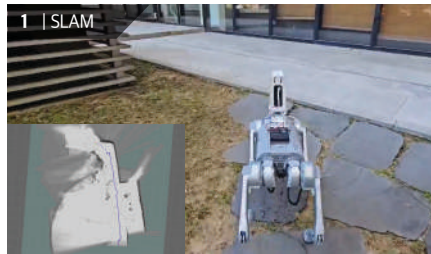
- **Wide Field of View** ----- ArgosVue stands out due to its innovative technology that extracts 3D depth information from fisheye stereo images, enabling a field of view of 200 x 140 degrees.
- **Single-Module Solution** ----- ArgosVue offers a comprehensive solution for detecting obstacles and steps both in the front and at the sides of robots, eliminating the need for integrating multiple 3D sensors.
- **Human Recognition at Close Range** ----- ArgosVue recognizes the full-body actions of people at arm's length, enhancing human-robot interaction and ensuring human safety in various settings.



Panoramic Vision AI Solution

• Streamlined Autonomous Navigation

ArgosVue revolutionizes the autonomous navigation of robots. With its capability to detect obstacles and steps using a single module, it enhances scene understanding and facilitates navigation in diverse indoor and outdoor environments.



Obstacle detection



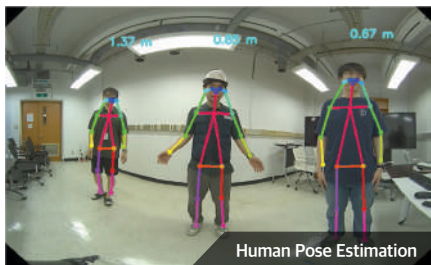
Step detection



Pedestrian detection

• Enhanced Human-Robot Interaction

ArgosVue enhances human-robot interaction by recognizing full-body actions of individuals at arm's length. This innovative feature improves human recognition and consequently enhances human-robot collaboration and safety across diverse operational environments.



Human Pose Estimation



Human Detection without Blind Spots



Human Recognition at a Close Distance

• Rapid Deployment with ROS Integration

ArgosVue seamlessly integrates with ROS (Robot Operating System), simplifying deployment processes for robotic systems.



“From Lab to Deployment: ArgosVue Simplifies Your Robot Vision System R&D!”

Applications



Mobile Robot



Smart Mobility



Smart Surveillance



Smart Factory



Smart City